



HP LaserJet Pro M1530 MFP Series

Service Manual Addendum

Copyright and License

© 2010 Copyright Hewlett-Packard
Development Company, L.P.

Reproduction, adaptation, or translation
without prior written permission is
prohibited, except as allowed under the
copyright laws.


The information contained herein is subject
to change without notice.

The only warranties for HP products and
services are set forth in the express
warranty statements accompanying such
products and services. Nothing herein
should be construed as constituting an
additional warranty. HP shall not be liable
for technical or editorial errors or omissions
contained herein.


Part number: CE538-90987

Edition 1, 9/2010

Conventions used in this guide

 **TIP:** Tips provide helpful hints or shortcuts.

 **NOTE:** Notes provide important information to explain a concept or to complete a task.

 **CAUTION:** Cautions indicate procedures that you should follow to avoid losing data or damaging the product.


 **WARNING!** Warnings alert you to specific procedures that you should follow to avoid personal injury, catastrophic loss of data, or extensive damage to the product.

Table of contents

1 Removal and replacement	1
Parts removal order	2
Scanner bezel	3
Remove the scanner bezel	3
Floating hinges	4
Remove the floating hinges	4
Scan drive system	5
Remove the scan drive system	5
Scan drive motor	6
Remove the scan drive motor	6
Scan drive gears	8
Remove the scan drive gears	8
Scan module	9
Remove the scan module	9
2 Parts and diagrams	11
Scanner assembly components	12
Scanner assembly internal components (1 of 2)	12
Scanner assembly internal components (2 of 2)	14
Scan drive system	16
Alphabetical parts list	18
Numerical parts list	19

List of tables

Table 2-1	Scanner assembly internal components (1 of 2)	13
Table 2-2	Scanner assembly internal components (2 of 2)	15
Table 2-3	Scan drive system	17
Table 2-4	Alphabetical parts list	18
Table 2-5	Numerical parts list	19

List of figures

Figure 1-1	Parts removal order: Scanner and document feeder	2
Figure 1-2	Remove the scanner bezel	3
Figure 1-3	Remove the floating hinges	4
Figure 1-4	Remove the scan drive system	5
Figure 1-5	Remove the scan drive motor (1 of 2)	6
Figure 1-6	Remove the scan drive motor (2 of 2)	7
Figure 1-7	Remove the scan drive gears	8
Figure 1-8	Remove the scan module (1 of 2)	9
Figure 1-9	Remove the scan module (2 of 2)	10
Figure 2-1	Scanner assembly internal components (1 of 2)	12
Figure 2-2	Scanner assembly internal components (2 of 2)	14
Figure 2-3	Scan drive system	16

1 Removal and replacement

The following procedures are for removing and replacing scanner sub-assembly (SSA) components. All procedures should be performed in a clean-room environment. Use these procedures in conjunction with the removal and replacement procedures in the main service manual for this product.

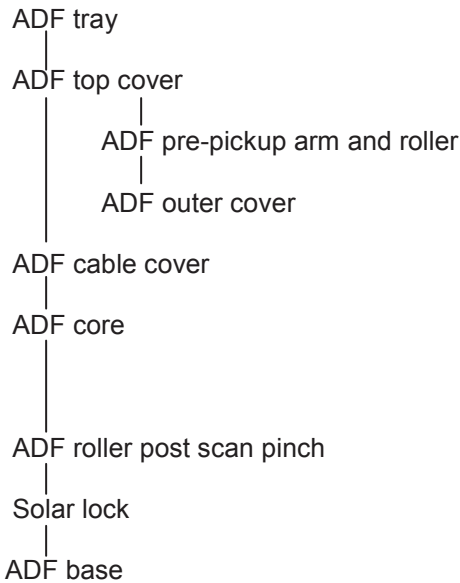
- [Parts removal order](#)
- [Scanner bezel](#)
- [Floating hinges](#)
- [Scan drive system](#)
- [Scan drive motor](#)
- [Scan drive gears](#)
- [Scan module](#)

Parts removal order

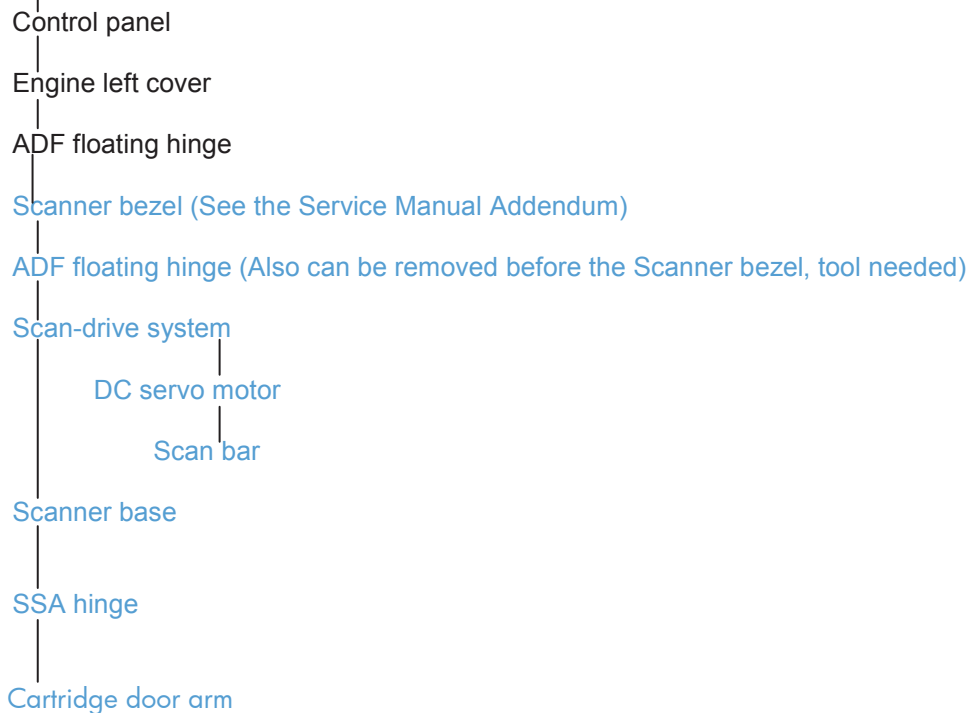
In the following list, parts shown with blue text should be removed only in a clean-room environment. The procedures for removing these parts are included here. See the main service manual for the other procedures.

Figure 1-1 Parts removal order: Scanner and document feeder

Automatic document feeder assembly



Scanner assembly



Scanner bezel

Before proceeding, remove the following components. See the main service manual for the procedures.

- Document feeder tray
- Document feeder cover
- Document feeder core assembly
- Document feeder base assembly
- Control panel

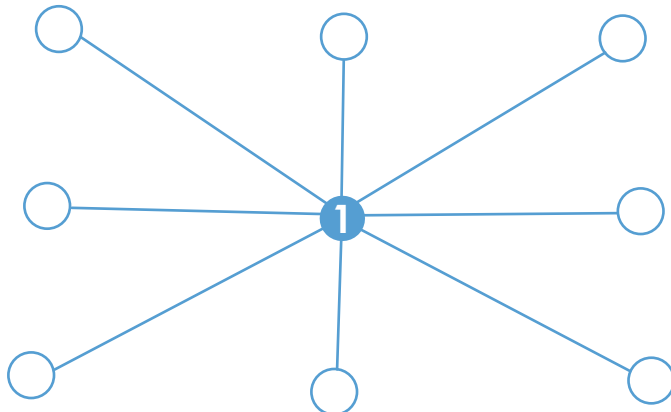
Remove the scanner bezel

- ▲ Remove eight T10 screws (callout 1) and then lift the scanner bezel out of the scanner base.

CAUTION: Do not damage the document feeder FFC while removing the bezel. Carefully feed the FFC through the slot in the bezel while lifting out the bezel.

CAUTION: Do not touch the glass. Skin oils are difficult to clean from the glass. Wear gloves when handling the scanner glass.


Figure 1-2 Remove the scanner bezel



Floating hinges

Before proceeding, remove the following components. See the main service manual for the procedures not included in this addendum.

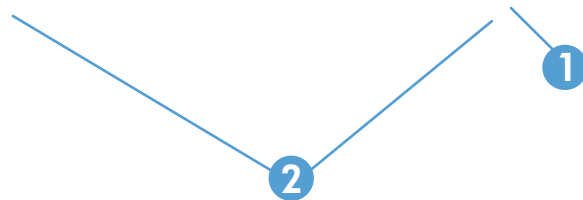
- Document feeder tray
- Document feeder cover
- Document feeder core assembly
- Document feeder base assembly
- Control panel
- Scanner bezel. See [Scanner bezel on page 3](#).

 **NOTE:** You can also remove the floating hinges without removing the scanner bezel; see the main service manual for that procedure. The following procedure requires no tools.

Remove the floating hinges

- ▲ Lift the floating hinge up, pinch together the two tabs (callout 1), and remove each floating hinge (callout 2).

Figure 1-3 Remove the floating hinges



Scan drive system

Before proceeding, remove the following components. See the main service manual for the procedures not included in this addendum.

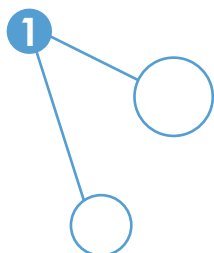
- Document feeder tray
- Document feeder cover
- Document feeder core assembly
- Document feeder base assembly
- Control panel
- Scanner bezel. See [Scanner bezel on page 3](#).
- Document feeder floating hinges. See [Floating hinges on page 4](#).

Remove the scan drive system

- ▲ Turn the scan drive system over to view the motor and gears, and then disconnect two FFCs (callout 1).

CAUTION: Do not touch the scanner light. Skin oils can damage the light element.

Figure 1-4 Remove the scan drive system



Scan drive motor

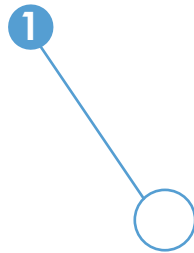
Before proceeding, remove the following components. See the main service manual for the procedures not included in this addendum.

- Document feeder tray
- Document feeder cover
- Document feeder core assembly
- Document feeder base assembly
- Control panel
- Scanner bezel. See [Scanner bezel on page 3](#).
- Document feeder floating hinges. See [Floating hinges on page 4](#).

Remove the scan drive motor

1. Remove one screw (callout 1), and then remove the motor bracket.

Figure 1-5 Remove the scan drive motor (1 of 2)



2. Remove the scan drive motor.

CAUTION: Do not damage the motor speed sensor (callout 1). Remove the motor with its PCA board and the speed sensor as one assembly.

Figure 1-6 Remove the scan drive motor (2 of 2)



Scan drive gears

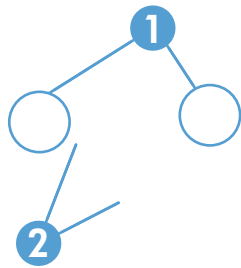
Before proceeding, remove the following components. See the main service manual for the procedures not included in this addendum.

- Document feeder tray
- Document feeder cover
- Document feeder core assembly
- Document feeder base assembly
- Control panel
- Scanner bezel. See [Scanner bezel on page 3](#).
- Document feeder floating hinges. See [Floating hinges on page 4](#).
- Scan drive system. See [Scan drive system on page 5](#).

Remove the scan drive gears

- ▲ Remove two screws (callout 1), and then remove the two gears (callout 2).

Figure 1-7 Remove the scan drive gears



Scan module

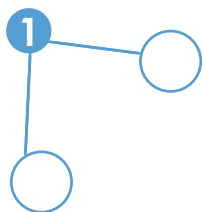
Before proceeding, remove the following components. See the main service manual for the procedures not included in this addendum.

- Document feeder tray
- Document feeder cover
- Document feeder core assembly
- Document feeder base assembly
- Control panel
- Scanner bezel. See [Scanner bezel on page 3](#).
- Document feeder floating hinges. See [Floating hinges on page 4](#).
- Scan drive system. See [Scan drive system on page 5](#).

Remove the scan module

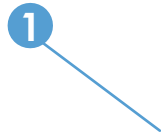
1. Remove two screws (callout 1).

Figure 1-8 Remove the scan module (1 of 2)



2. Remove the scan module (callout 1).

Figure 1-9 Remove the scan module (2 of 2)



2 Parts and diagrams

- [Scanner assembly components](#)
- [Alphabetical parts list](#)
- [Numerical parts list](#)

Scanner assembly components

Scanner assembly internal components (1 of 2)

Figure 2-1 Scanner assembly internal components (1 of 2)

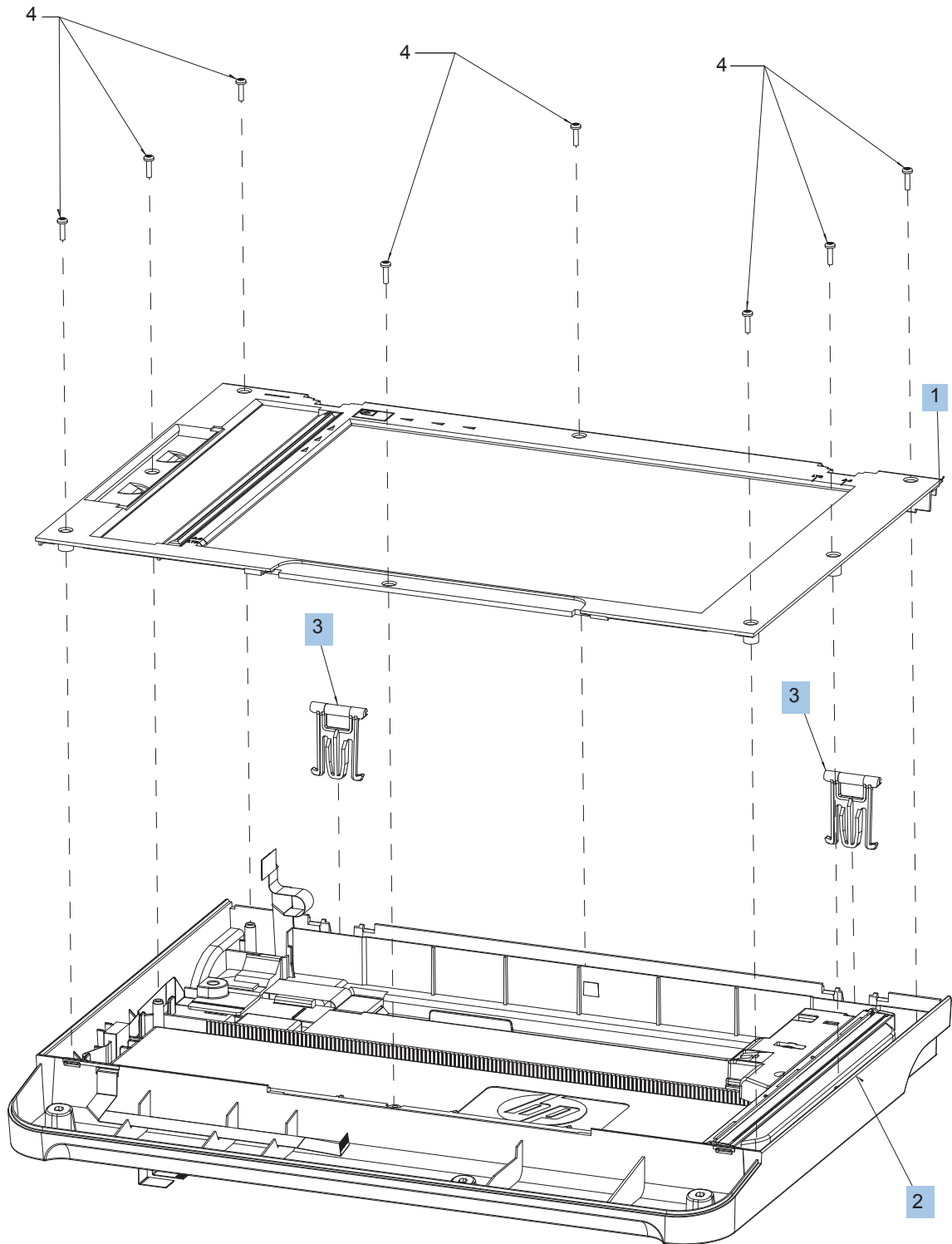


Table 2-1 Scanner assembly internal components (1 of 2)

Ref	Description	Part number	Qty
1	Scanner bezel assembly	CE538-60119	1
2	Scanner base assembly	CE538-60120	1
3	Hinge, floating	CE538-40006	2

Scanner assembly internal components (2 of 2)

Figure 2-2 Scanner assembly internal components (2 of 2)

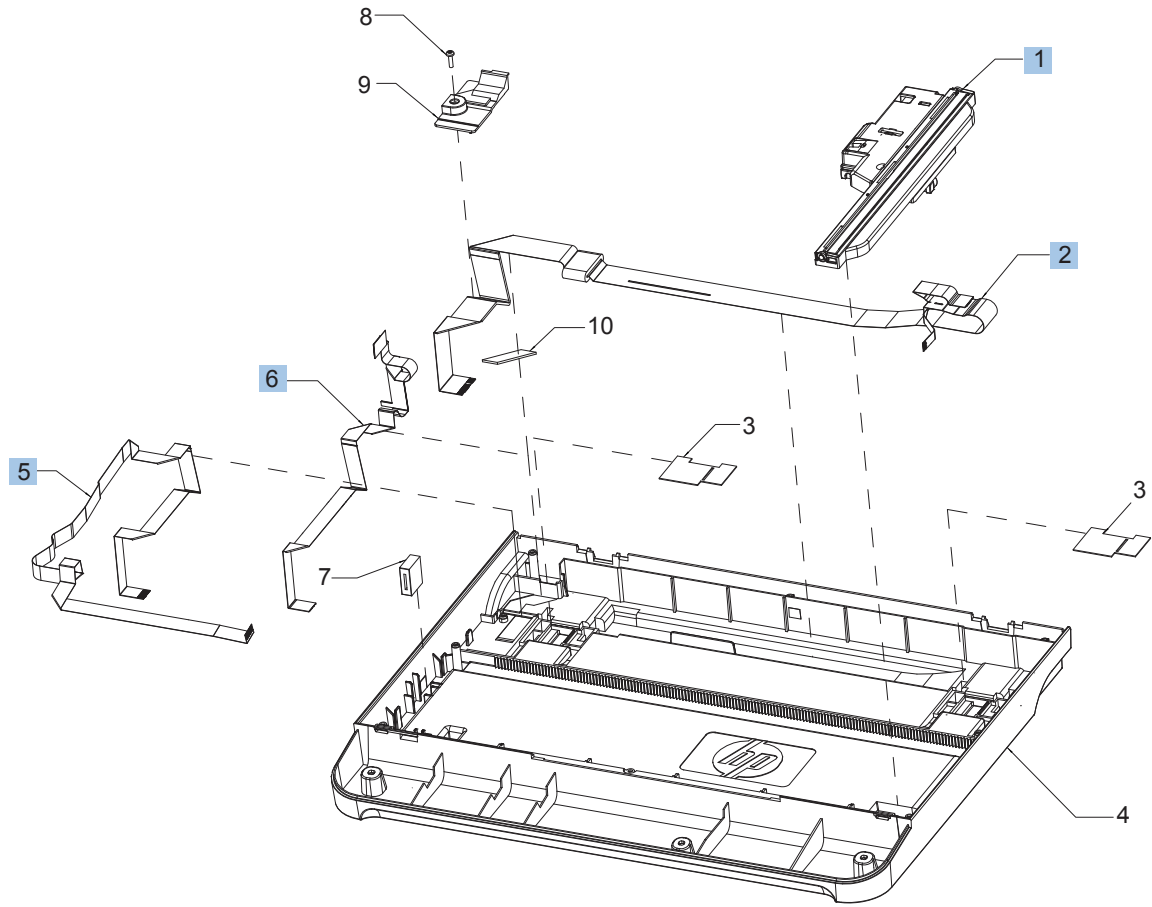


Table 2-2 Scanner assembly internal components (2 of 2)

Ref	Description	Part number	Qty
1	Scan drive system assembly	CE538-60132	1
2	Cable, scan module/motor	CE538-60103	1
5	Cable, control panel assembly	CE538-60104	1
6	Cable, document feeder (ADF)	CE538-60106	1

Scan drive system

Figure 2-3 Scan drive system

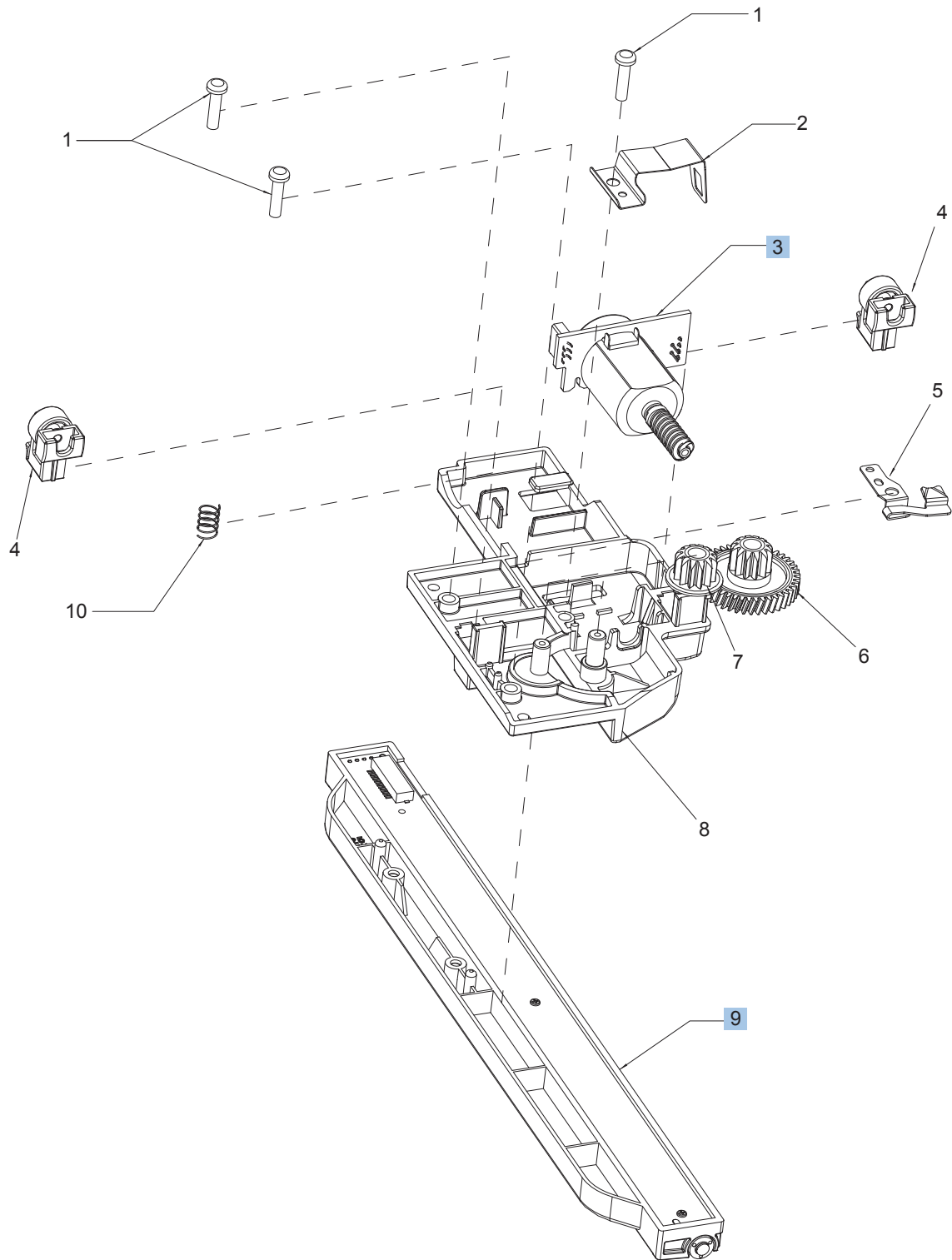


Table 2-3 Scan drive system

Ref	Description	Part number	Qty
3	Scanner motor assembly	CC334-60030	1
9	Scan module	Q8376-6003	1

Alphabetical parts list

Table 2-4 Alphabetical parts list

Description	Part number	Table and page
Cable, control panel assembly	CE538-60104	Scanner assembly internal components (2 of 2) on page 15
Cable, document feeder (ADF)	CE538-60106	Scanner assembly internal components (2 of 2) on page 15
Cable, scan module/motor	CE538-60103	Scanner assembly internal components (2 of 2) on page 15
Hinge, floating	CE538-40006	Scanner assembly internal components (1 of 2) on page 13
Scan drive system assembly	CE538-60132	Scanner assembly internal components (2 of 2) on page 15
Scan module	Q8376-6003	Scan drive system on page 17
Scanner base assembly	CE538-60120	Scanner assembly internal components (1 of 2) on page 13
Scanner bezel assembly	CE538-60119	Scanner assembly internal components (1 of 2) on page 13
Scanner motor assembly	CC334-60030	Scan drive system on page 17

Numerical parts list

Table 2-5 Numerical parts list

Part number	Description	Table and page
CC334-60030	Scanner motor assembly	Scan drive system on page 17
CE538-40006	Hinge, floating	Scanner assembly internal components (1 of 2) on page 13
CE538-60103	Cable, scan module/motor	Scanner assembly internal components (2 of 2) on page 15
CE538-60104	Cable, control panel assembly	Scanner assembly internal components (2 of 2) on page 15
CE538-60106	Cable, document feeder (ADF)	Scanner assembly internal components (2 of 2) on page 15
CE538-60119	Scanner bezel assembly	Scanner assembly internal components (1 of 2) on page 13
CE538-60120	Scanner base assembly	Scanner assembly internal components (1 of 2) on page 13
CE538-60132	Scan drive system assembly	Scanner assembly internal components (2 of 2) on page 15
Q8376-6003	Scan module	Scan drive system on page 17

© 2010 Hewlett-Packard Development Company, L.P.

www.hp.com



CE538-90987